

DATASHEET · CONDUCTVISION SOFTWARE

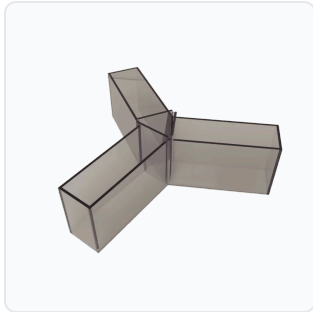
ConductVision Zebrafish Package.

SKU CS-SW-00003 Spec v1 Rev. 2026-07-09

DATASHEET · P

CS-SW-0

Rev 2026



PRODUCT FAMILY

ANIMAL MODEL

APPLICATION

COUNTRY OF ORIGIN

MFG. STANDARD

LOT TRACEABLE

No

VERIFIED

Spec v1 · 2026-07-09

PRODUCT SPECIFICATIONS

FROM PUBLISHED PROD

PRODUCT TYPE	variable	LICENSE TERM	1 Year, 5 Year
DIMENSIONS LxWxH (MM)	25.0 × 20.0 × 5.0	WEIGHT (KG)	0.22
AVAILABILITY	In stock		

BILL OF MATERIALS · 1 LINE ITEMS

BASE CONF

QTY	ITEM	SKU
1	ConductVision Zebrafish Package	CS-SW-00003



Scope.

INFO@CONDUCTSCIENCE.COM CONDUCTSCIENCE.COM

CS-SW-00003 · DATASH

DATASHEET · CONDUCTVISION SOFTWARE

ConductVision Zebrafish Package.

SKU CS-SW-00003 Spec v1 Rev. 2026-07-09

DATASHEET · P

CS-SW-0

Rev 2026

BILL OF MATERIALS · EXTENDED ATTRIBUTES

ITEM

ConductVision Zebrafish Package

MATERIALS REFERENCE

0 MATERIAL

CODE

DESCRIPTION

PROPERTIES

USED IN

Cross-reference.

DATASHEET · CONDUCTVISION SOFTWARE

ConductVision Zebrafish Package.

SKU CS-SW-00003 Spec v1 Rev. 2026-07-09

DATASHEET · P

CS-SW-0

Rev 2026

OPERATING & STERILIZATION ENVELOPES

CONDITIONS, CYCLES, COMI

OPERATING

TEMPERATURE

HUMIDITY

PRESSURE

STORAGE

TEMPERATURE

HUMIDITY

ORIENTATION

STERILIZATION & CLEANING

AUTOCLAVE

GAMMA

AVOID

ETO

WIPE

ANIMAL COMPATIBILITY

BY SPECIES

NOTES

USE & S

SPECIES	BODY WEIGHT	CHAMBER FIT
---------	-------------	-------------

Specifications verified against current published product data. Verified 2026-07-09 · Since 2026-07-09.

Cite: ConductScience CS-SW-00003, Spec v1, 2026-07-09. conductscience.com/lab/conductvision-zebrafish-package

INFO@CONDUCTSCIENCE.COM CONDUCTSCIENCE.COM

CS-SW-00003 · DATASH