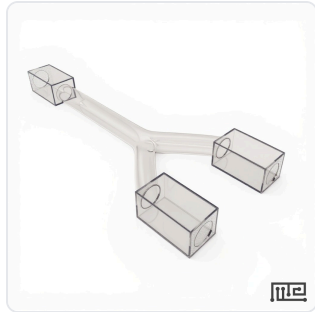


DATASHEET · BEHAVIORAL MAZES

# Snake Y-Maze.

SKU CS-958162 Spec v1 Rev. 2026-07-09

DATASHEET · P  
**CS-958162**  
 Rev 2026-07-09



PRODUCT FAMILY  
 ANIMAL MODEL  
 APPLICATION  
 COUNTRY OF ORIGIN  
 MFG. STANDARD  
 LOT TRACEABLE **No**  
 VERIFIED **Spec v1 · 2026-07-09**

PRODUCT SPECIFICATIONS

FROM PUBLISHED PROD

BEHAVIORAL CONSTRUCT	Spatial Working Memory, Spontaneous Alternation, Exploratory Behavior, Decision Making, Spatial Navigation	AUTOMATION LEVEL	manual
RESEARCH DOMAIN	Aging Research, Anxiety and Depression, Behavioral Pharmacology, Learning and Memory, Neurodegeneration, Neuroscience	SPECIES	Mouse, Rat
COMPATIBLE TRACKING SOFTWARE	ConductVision	DIMENSIONS LxWxH (MM)	65.0 × 36.0 × 27.0
WEIGHT (KG)	6.06	AVAILABILITY	In stock

BILL OF MATERIALS · 1 LINE ITEMS

BASE CONF

QTY	ITEM	SKU
1	Snake Y-Maze	CS-958162



---

**Scope.**

INFO@CONDUCTSCIENCE.COM    CONDUCTSCIENCE.COM

CS-958162 · DATASH

DATASHEET · BEHAVIORAL MAZES

# Snake Y-Maze.

SKU CS-958162 Spec v1 Rev. 2026-07-09

DATASHEET · P  
**CS-95**  
Rev 2026

## BILL OF MATERIALS · EXTENDED ATTRIBUTES

ITEM
Snake Y-Maze

## MATERIALS REFERENCE

0 MATERIALS

CODE	DESCRIPTION	PROPERTIES	USED IN
------	-------------	------------	---------

Cross-reference.



DATASHEET · BEHAVIORAL MAZES

# Snake Y-Maze.

SKU CS-958162 Spec v1 Rev. 2026-07-09

DATASHEET · P  
**CS-95**  
Rev 2026

## OPERATING & STERILIZATION ENVELOPES

CONDITIONS, CYCLES, COM

### OPERATING

TEMPERATURE

HUMIDITY

PRESSURE

### STORAGE

TEMPERATURE

HUMIDITY

ORIENTATION

### STERILIZATION & CLEANING

AUTOCLAVE

GAMMA

AVOID

ETO

WIPE

## ANIMAL COMPATIBILITY

BY SPECIES

## NOTES

USE & S

SPECIES	BODY WEIGHT	CHAMBER FIT
---------	-------------	-------------

Specifications verified against current published product data. Verified 2026-07-09 · Since 2026-07-09.

**Cite:** ConductScience CS-958162, Spec v1, 2026-07-09. [conductscience.com/lab/snake-y-maze](https://conductscience.com/lab/snake-y-maze)

INFO@CONDUCTSCIENCE.COM CONDUCTSCIENCE.COM

CS-958162 · DATASH